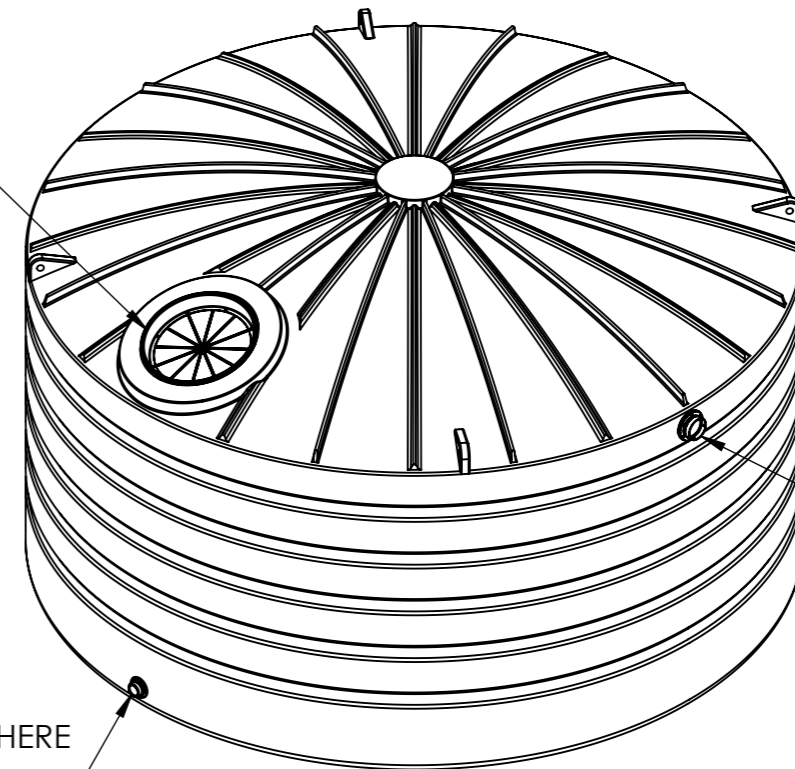


STRAINER LOCATION



TANK OVERFLOW ANYWHERE ON THE RIB

TANK OUTLET ANYWHERE ON THE RIB

CALCULATED CAPACITY: 10 300 Litres

**IMPORTANT NOTES TO READ...!!!**

- **2 PERSONS + DRIVER REQUIRED TO HANDLE TANK.**
- Please refer to 'Easy 6 Step Tank Installation Guide' for instruction to install accessories.
- All dimensions are in Metres and rounded to the nearest Centimetre.
- Capacities & measurements are tested in accordance with AS4766, but may vary due to roto-moulding process.
- Bushmans recommends top and sides clearance of 100mm minimum when estimating space required for tank.
- Drawing shows all available outlet and overflow positions. Standard installation has only 1 outlet and 1 overflow.



**BUSHMANS GROUP PTY LTD**

BUSHMANS HEAD OFFICE

GPO 4218, NSW, SYDNEY, 2001 [WWW.BUSHMANTANKS.COM.AU](http://WWW.BUSHMANTANKS.COM.AU)

Copyright 2022 Bushmans Group Pty Ltd. This drawing may not be reproduced or transmitted in any form or by any means in part or whole without written permission of Bushmans Group Pty Ltd.

Drawn TP

Date 10/03/2022

Scale NOT TO SCALE

Project Title

TXD 2200 V005

Material

POLYETHYLENE

Finish

-

Drawing Title

TXD2200 ROUND SQUAT  
10,000 LITRE TANK  
TANK SALES DRAWING

A3 Size Drawing