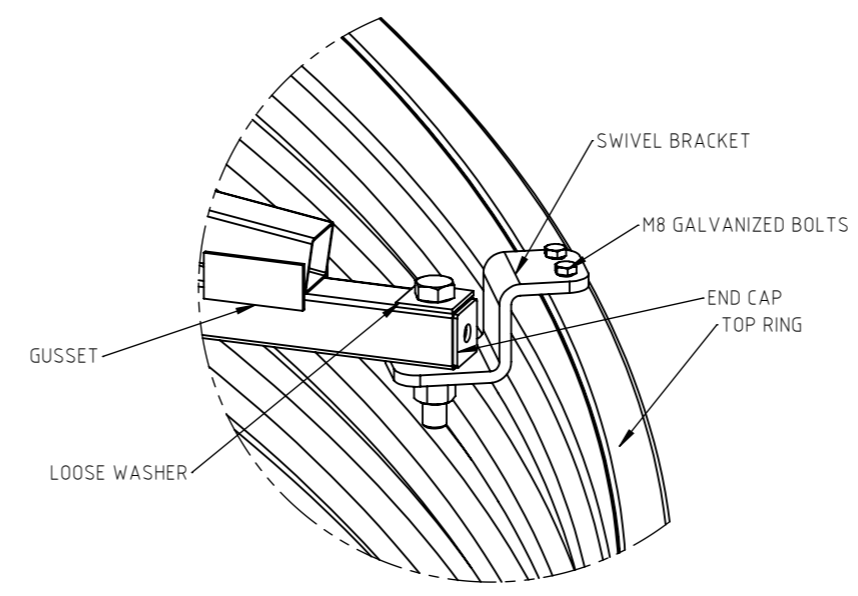
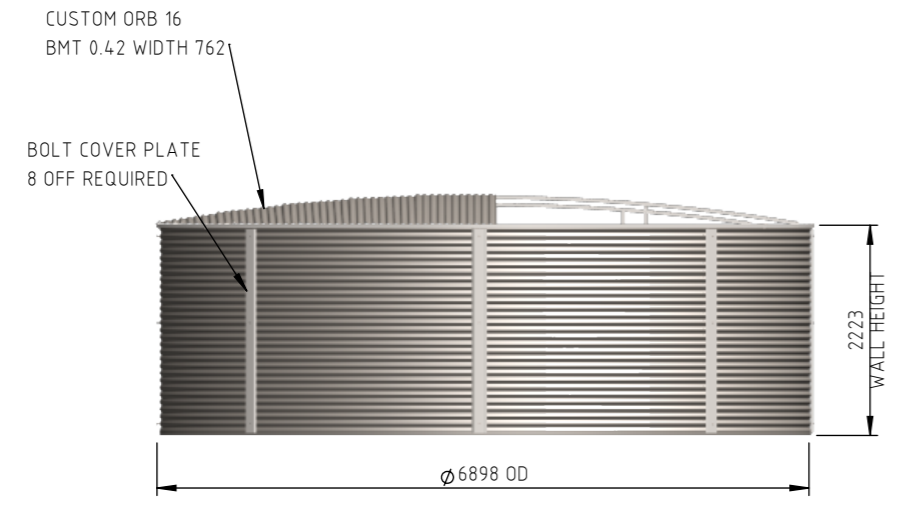


ASL80 - PLAN VIEW

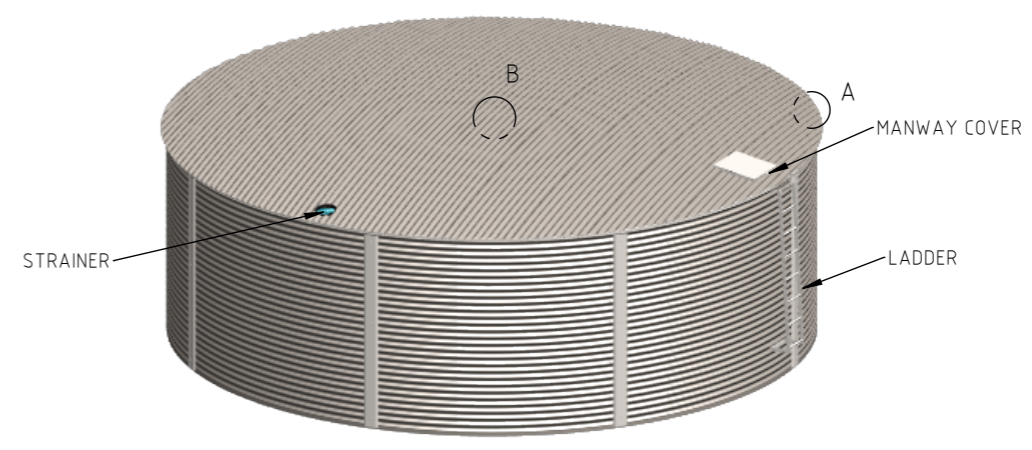


DETAIL A  
1:5  
ISOMETRIC VIEW  
TRUSS SWIVEL BRACKET-ROOF RING CONNECTION DETAIL  
ROOF SHEETS HIDDEN FOR CLARITY

**DESIGN DATA**  
 The structural components have been designed in accordance with the relevant Australian Standards for the following loads:  
 Live load to AS/NZS1170.1 and AS1657  
 · Roof live load = 1.1 kN, 0.25 kPa  
 · Ladder live load = 1.5 kN  
 Wind load to AS/NZS1170.2  
 · Region = A & B  
 · Structure Importance Level = 2  
 · Regional wind speed V(500)= 57 m/s  
 · Terrain category = 2.5  
 Earthquake load to AS1170.4  
 · Earthquake Design Category = Nil  
 Atmospheric Exposure to AS4312  
 · Atmospheric Exposure Category = C2: Low, or T: Inland Tropical



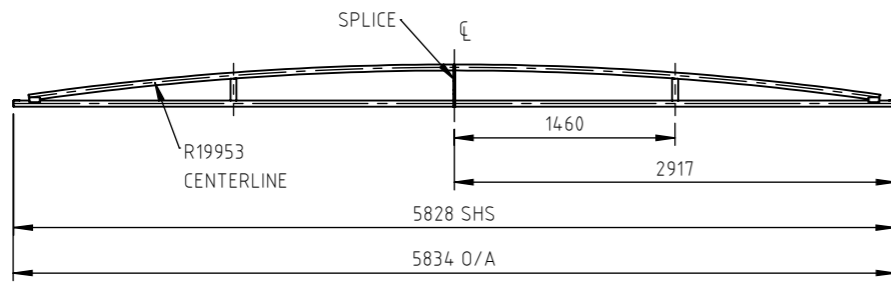
ASL80 - SIDE ELEVATION



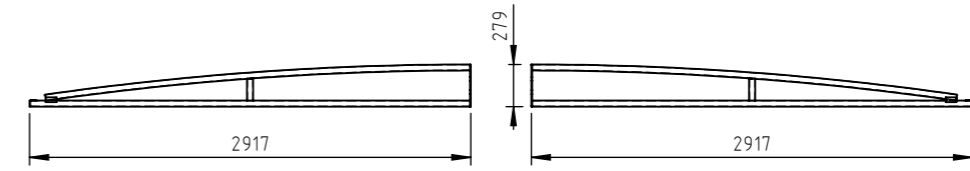
DIMETRIC VIEW  
HALF OF ROOF SHEETS HIDDEN FOR CLARITY

NOTES:  
 DESIGNED WATER HEIGHT: 2.22m  
 DESIGNED CAPACITY OF THE TANK: 80681L

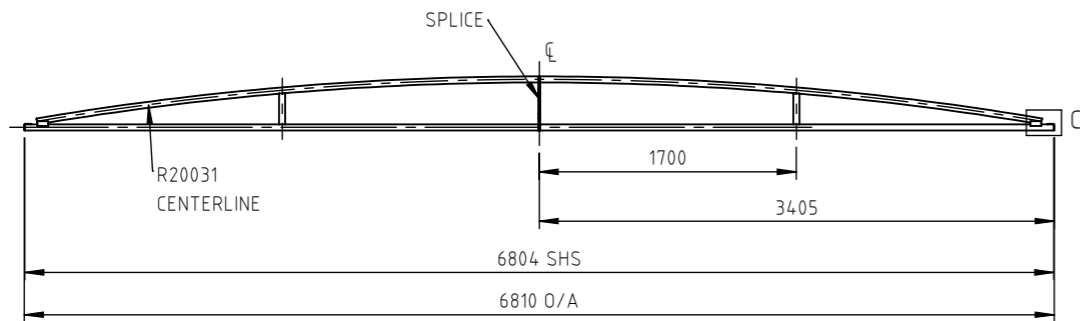
REV		DATE	DESCRIPTION	DRAWN	APPROVED	CLIENT: BUSHMANS GROUP PTY LTD <b>Bushmans</b> BUSHMANS HEAD OFFICE GPO 4218, NSW, SYDNEY, 2001 WWW.BUSHMANTANKS.COM.AU		IF THIS BAR DOES NOT MEASURE 20mm THEN DRAWING IS NOT TO SCALE 0 5 10 20	ALL DIMENSIONS IN MILLIMETRES UNLESS OTHERWISE STATED	 evoco SUBJECT TO	PO BOX 145 COLLAROY BEACH, NSW 2097 AUSTRALIA office@evocoengineering.com evocoengineering.com	APPROVED: P Rupasinghe CHECKED: P Rupasinghe DESIGNED: C R Rohde DRAWN: T Pisko	SCALE: 1:80 PROJECT NO: ASL80 DRAWING NO: ASL80-2223-WRAB-STD SHEET: 1/2	PROJECT: AQUALINE TANK ASL80 WIND REGION A & B TITLE: GENERAL ARRANGEMENT AND DETAIL SALES DRAWING	ORIG. SIZE: A3 REV.: B	DRAWING SET NO
-----	--	------	-------------	-------	----------	-------------------------------------------------------------------------------------------------------------------------------------	--	-----------------------------------------------------------------------------	-------------------------------------------------------	-------------------------	------------------------------------------------------------------------------------------------------------	------------------------------------------------------------------------------------------------------	-----------------------------------------------------------------------------------	-------------------------------------------------------------------------------------------------------------	---------------------------	----------------



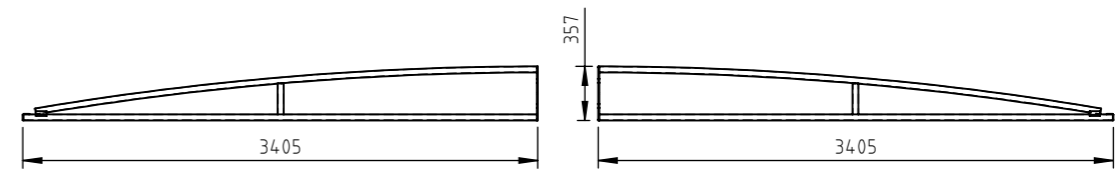
ASL80 TRUSS 1 ELEVATION  
2 OFF HOT DIPPED GALVANIZED TRUSSES  
CALCULATED MASS: 24.5 KG



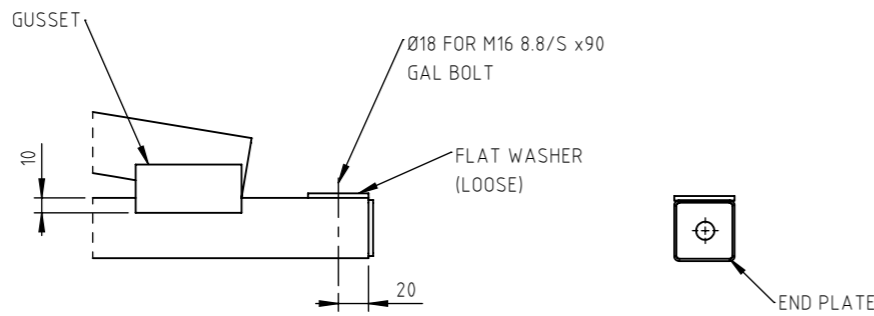
ASL80 TRUSS 1  
EXPLODED VIEW



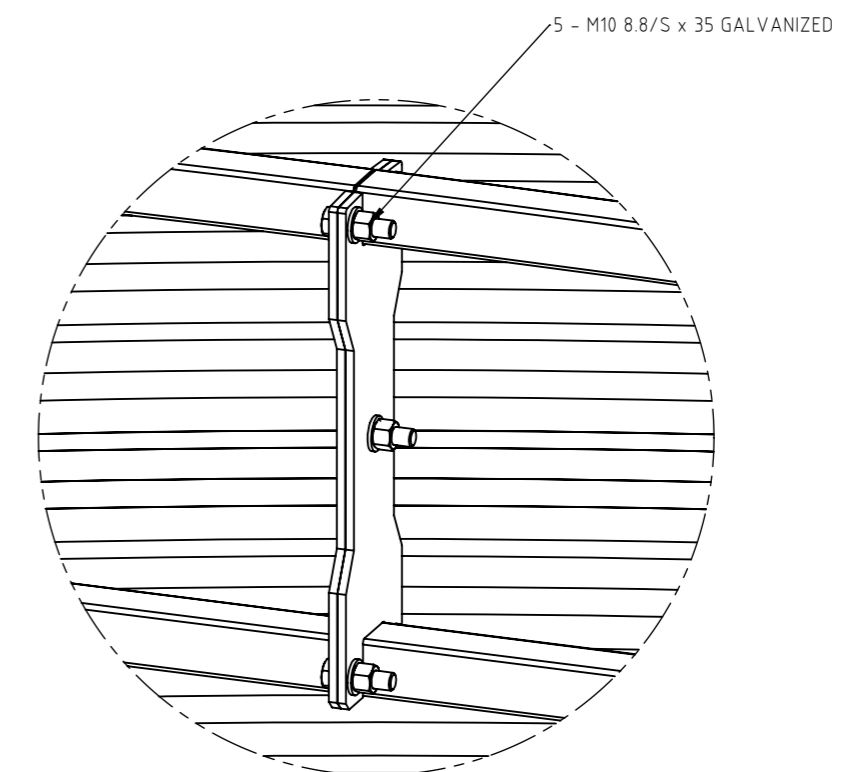
ASL80 TRUSS 2 ELEVATION  
1 OFF HOT DIPPED GALVANIZED TRUSSES  
CALCULATED MASS: 29.5 KG



ASL80 TRUSS 2  
EXPLODED VIEW



DETAIL C  
1:5  
TRUSS END DETAIL



DETAIL B  
1:5  
ISOMETRIC VIEW  
SPLICE PLATE CONNECTION DETAIL  
ROOF SHEETS HIDDEN FOR CLARITY

REV	DATE	DESCRIPTION	DRAWN	APPROVED
B	04/05/21	SPLICE PLATES CHANGED TO 6mm	T.P.	P.R.
A	16/04/21	APPROVED FOR PRODUCTION	T.P.	P.R.
P1	05/04/21	PRELIMINARY RELEASE	T.P.	P.R.

CLIENT: BUSHMANS GROUP PTY LTD  
**Bushmans**  
BUSHMANS HEAD OFFICE  
GPO 4218, NSW, SYDNEY, 2001  
WWW.BUSHMANTANKS.COM.AU

IF THIS BAR DOES NOT MEASURE 20mm THEN DRAWING IS NOT TO SCALE  
0 5 10 20

ALL DIMENSIONS IN MILLIMITRES UNLESS OTHERWISE STATED

PO BOX 145  
COLLAROY BEACH, NSW 2097  
AUSTRALIA  
office@evocoengineering.com  
evocoengineering.com

APPROVED: P Rupasinghe	SCALE: 1:50	PROJECT: AQUALINE TANK ASL80 WIND REGION A & B
CHECKED: P Rupasinghe	PROJECT NO: ASL80	ORIG. SIZE: A3
DESIGNED: C R Rohde	DRAWING NO: ASL80-2223-WRAB-STD	REV.: B
DRAWN: T Pisko	SHEET: 2/2	TITLE: TRUSS ARRANGEMENT AND DETAILS SALES DRAWING

ORIG. SIZE: A3	DRAWING SET NO
REV.: B	