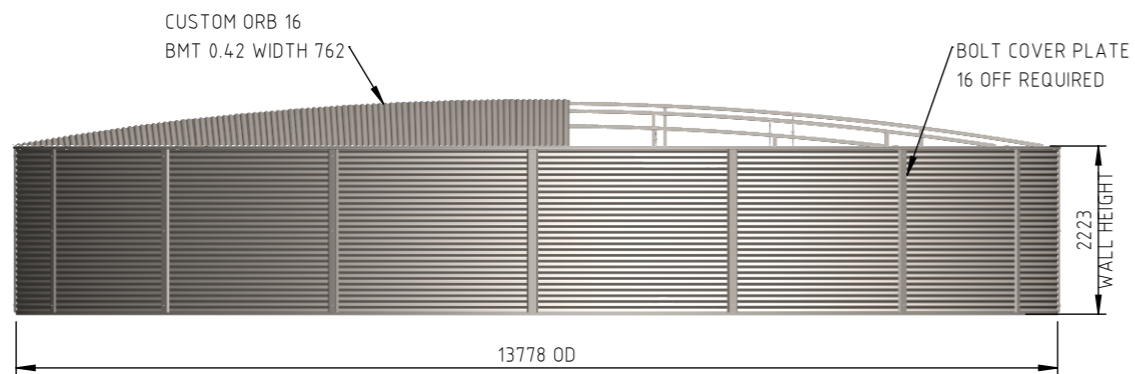
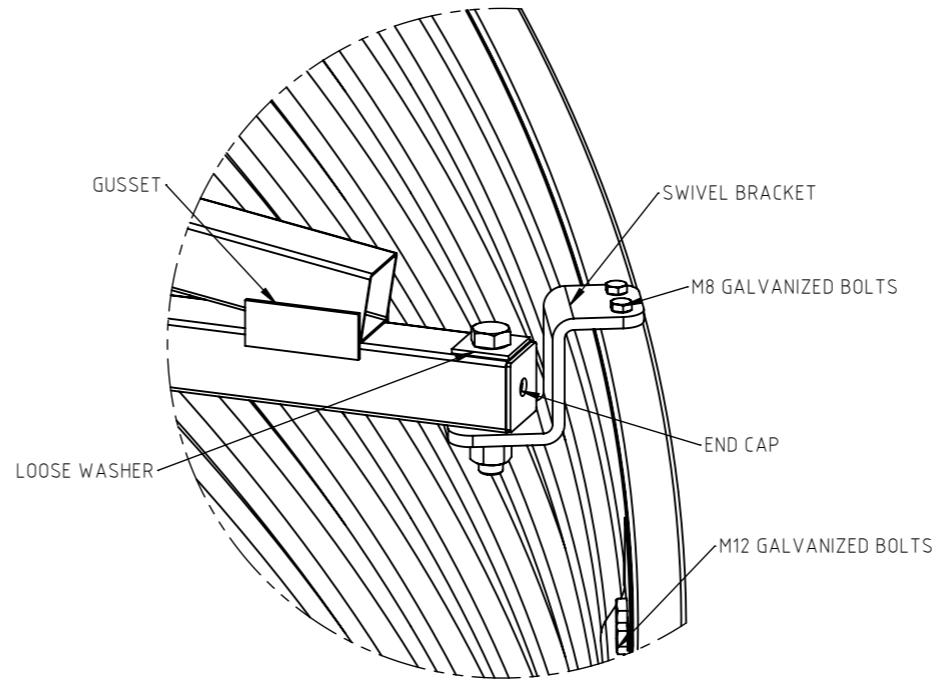


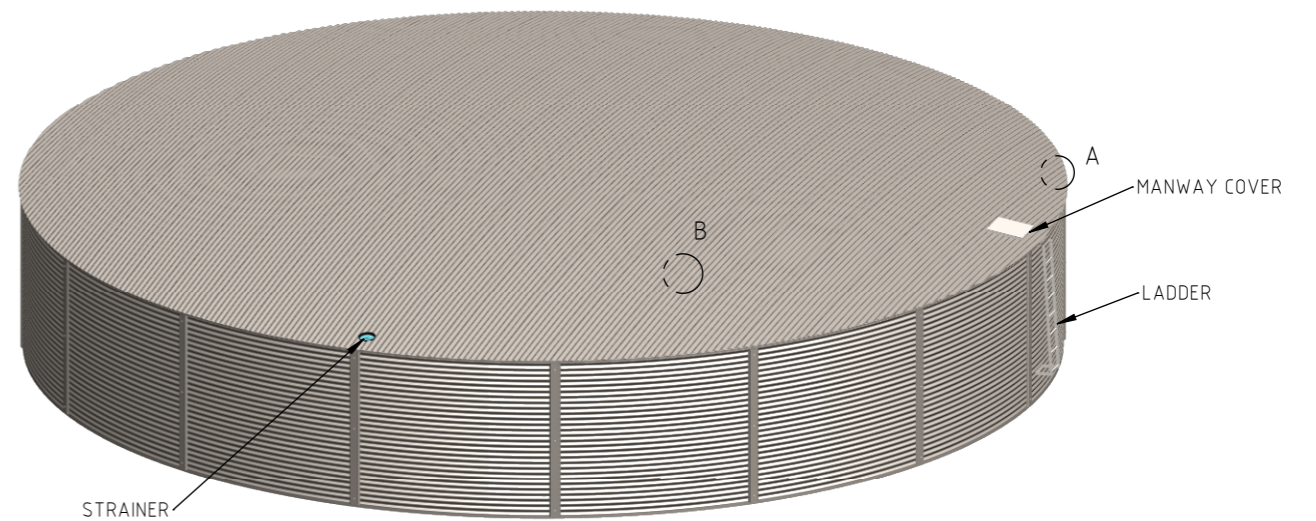
ASL320 - PLAN VIEW



ASL320 - SIDE ELEVATION



DETAIL A  
1:5  
ISOMETRIC VIEW  
TRUSS SWIVEL BRACKET-ROOF RING CONNECTION DETAIL  
ROOF SHEETS HIDDEN FOR CLARITY



DIMETRIC VIEW

**DESIGN DATA**

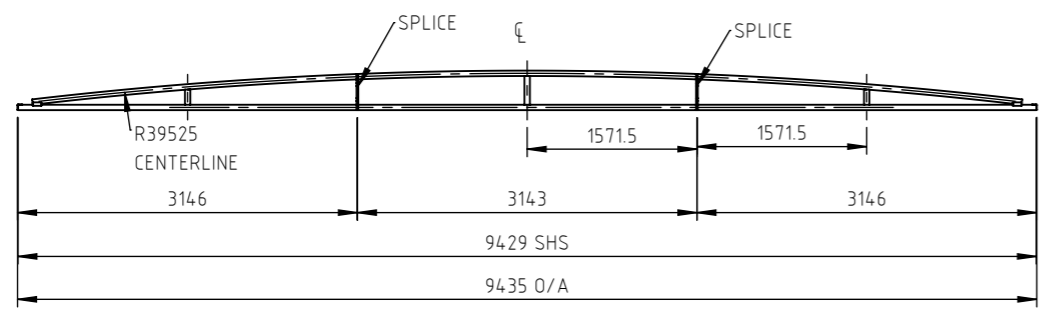
The structural components have been designed in accordance with the relevant Australian Standards for the following loads:  
 Live load to AS/NZS1170.1 and AS1657  
 · Roof live load = 1.1 kN, 0.25 kPa  
 · Ladder live load = 1.5 kN

Wind load to AS/NZS1170.2  
 · Region = A & B  
 · Structure Importance Level = 2  
 · Regional wind speed V(500)= 57 m/s  
 · Terrain category = 2.5

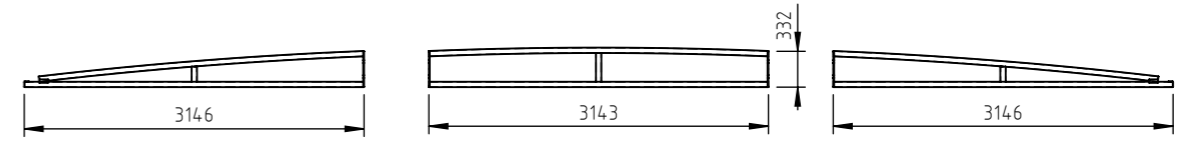
Earthquake load to AS1170.4  
 · Earthquake Design Category = Nil  
 Atmospheric Exposure to AS4312  
 · Atmospheric Exposure Category = C2: Low, or T: Inland Tropical

NOTES:  
 DESIGNED WATER HEIGHT: 2.12m  
 DESIGNED CAPACITY OF THE TANK: 321 990 L

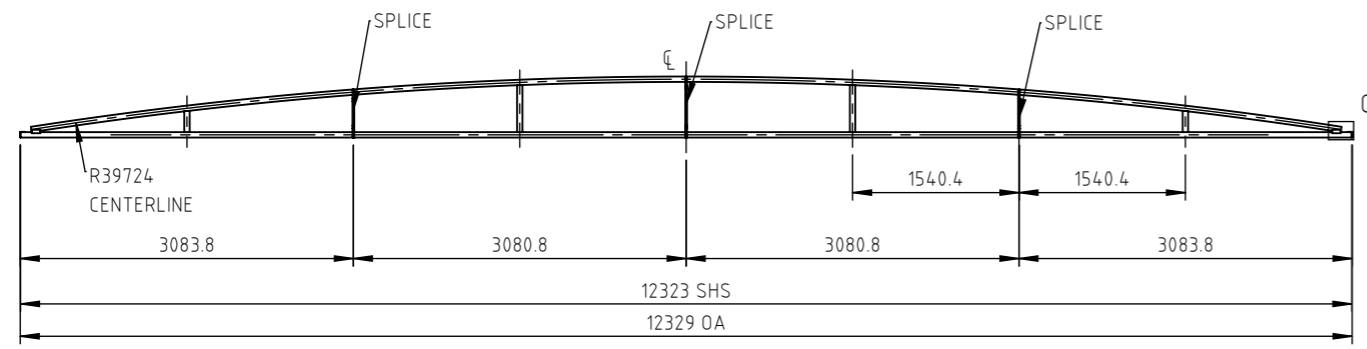
REV		DATE	DESCRIPTION	DRAWN	APPROVED	CLIENT: BUSHMANS GROUP PTY LTD <b>Bushmans</b> BUSHMANS HEAD OFFICE GPO 4218, NSW, SYDNEY, 2001 WWW.BUSHMANTANKS.COM.AU	IF THIS BAR DOES NOT MEASURE 20mm THEN DRAWING IS NOT TO SCALE 0 5 10 20	ALL DIMENSIONS IN MILLIMITRES UNLESS OTHERWISE STATED	PO BOX 145 COLLAROY BEACH, NSW 2097 AUSTRALIA office@evocoengineering.com evocoengineering.com	APPROVED: P Rupasinghe CHECKED: P Rupasinghe DESIGNED: C R Rohde DRAWN: T Pisko	SCALE: 1:100 PROJECT No: ASL320 DRAWING No: ASL320-2223-WRAB-STD SHEET: 1/2	PROJECT: AQUALINE TANK ASL320 WIND REGION A & B TITLE: GENERAL ARRANGEMENT AND DETAIL SALES DRAWING	ORIG. SIZE: A3 REV.: B	DRAWING SET No
-----	--	------	-------------	-------	----------	---	---	---	--	--	--	--	---------------------------	----------------



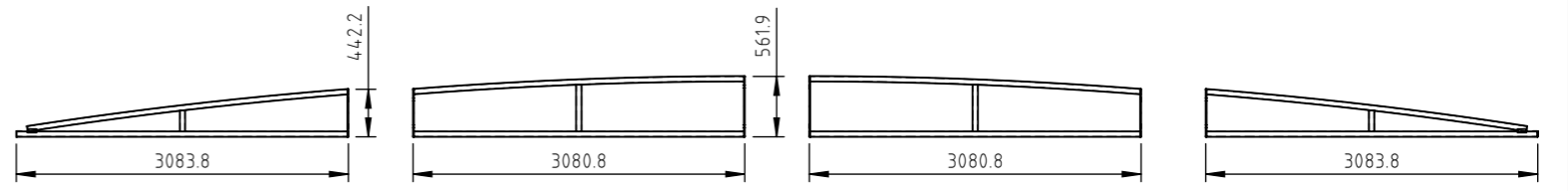
ASL320 TRUSS 1 ELEVATION  
2 OFF HOT DIPPED GALVANIZED TRUSSES  
CALCULATED MASS: 54.5 KG



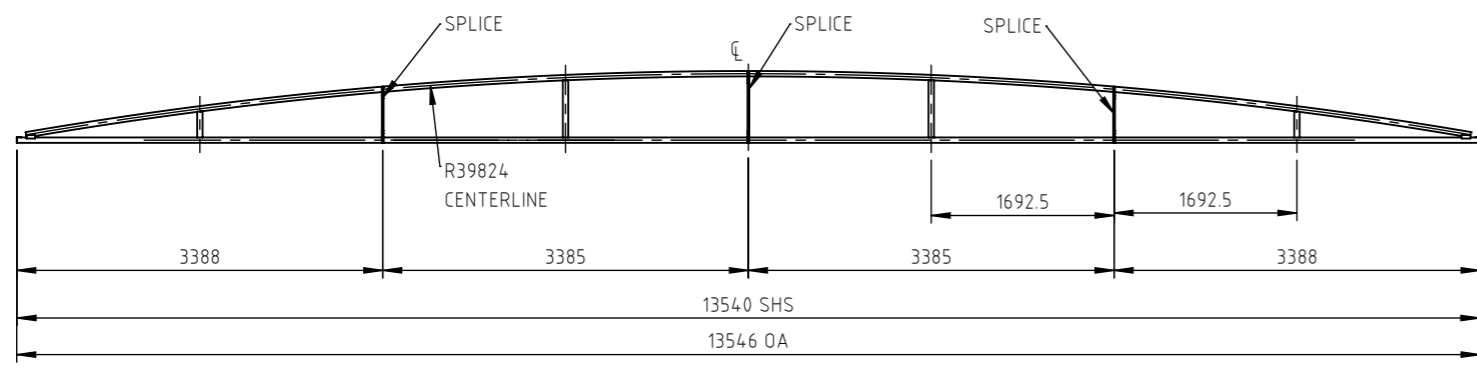
ASL320 TRUSS 1  
EXPLODED VIEW



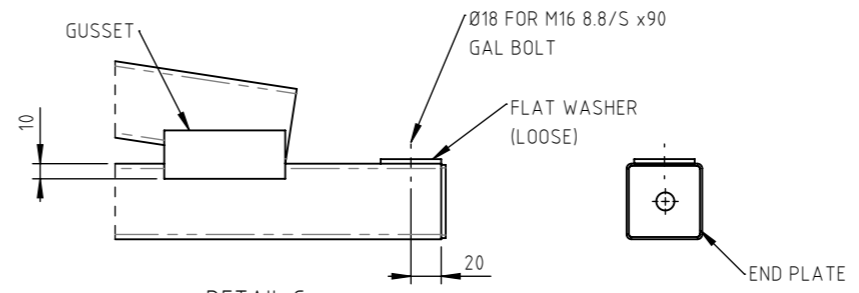
ASL320 TRUSS 2 ELEVATION  
2 OFF HOT DIPPED GALVANIZED TRUSSES  
CALCULATED MASS: 78.5 KG



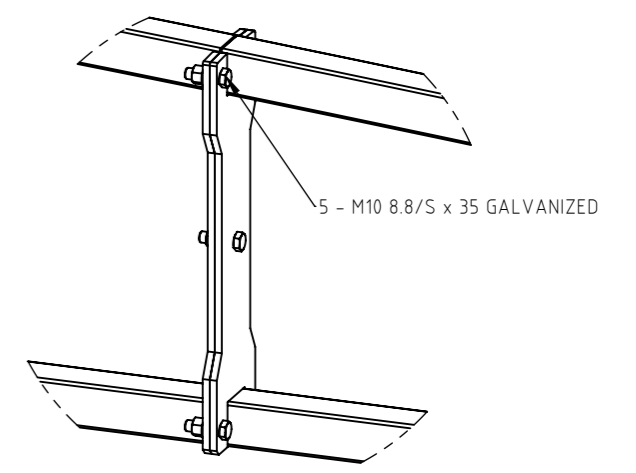
ASL320 TRUSS 2  
EXPLODED VIEW



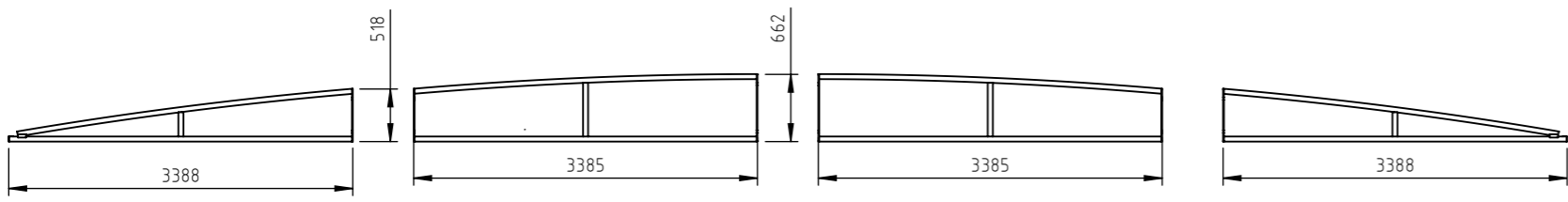
ASL320 TRUSS 3 ELEVATION  
2 OFF REQUIRED  
CALCULATED MASS: 87.5 KG



DETAIL C  
1:5  
TRUSS END DETAIL



DETAIL B  
1:8  
ISOMETRIC VIEW  
SPLICE PLATE CONNECTION DETAIL  
ROOF SHEETS HIDDEN FOR CLARITY



ASL320 TRUSS 3  
EXPLODED VIEW

REV	DATE	DESCRIPTION	DRAWN	APPROVED
B	31/07/21	DIMETRIC VIEW NOTE CORRECTED	T.P.	P.R.
A	06/07/21	RELEASED FOR PRODUCTION	T.P.	P.R.
P1	24/06/21	PRELIMINARY RELEASE	T.P.	P.R.

CLIENT: BUSHMANS GROUP PTY LTD  
**Bushmans**  
BUSHMANS HEAD OFFICE  
GPO 4218, NSW, SYDNEY, 2001  
WWW.BUSHMANTANKS.COM.AU

IF THIS BAR DOES NOT MEASURE 20mm THEN DRAWING IS NOT TO SCALE  
0 5 10 20

ALL DIMENSIONS IN MILLIMETRES UNLESS OTHERWISE STATED



PO BOX 145  
COLLAROY BEACH, NSW 2097  
AUSTRALIA  
office@evocoengineering.com  
evocoengineering.com

APPROVED: P Rupasinghe  
CHECKED: P Rupasinghe  
DESIGNED: C R Rohde  
DRAWN: T Pisko

SCALE: 1:70  
PROJECT NO: ASL320  
DRAWING NO: ASL320-2223-WRAB-STD  
SHEET: 2/2

PROJECT: AQUALINE TANK ASL320 WIND REGION A & B  
TITLE: TRUSS ARRANGEMENT AND DETAILS SALES DRAWING

ORIG. SIZE: A3  
REV.: B

DRAWING SET NO