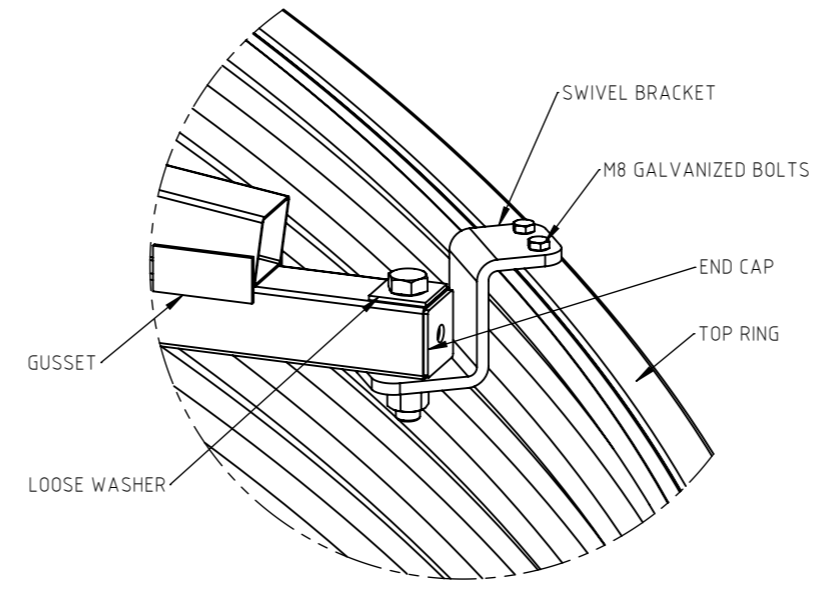


ASL125 - PLAN VIEW



DETAIL A
1:5
ISOMETRIC VIEW
TRUSS SWIVEL BRACKET-ROOF RING CONNECTION DETAIL
ROOF SHEETS HIDDEN FOR CLARITY

DESIGN DATA

The structural components have been designed in accordance with the relevant Australian Standards for the following loads:

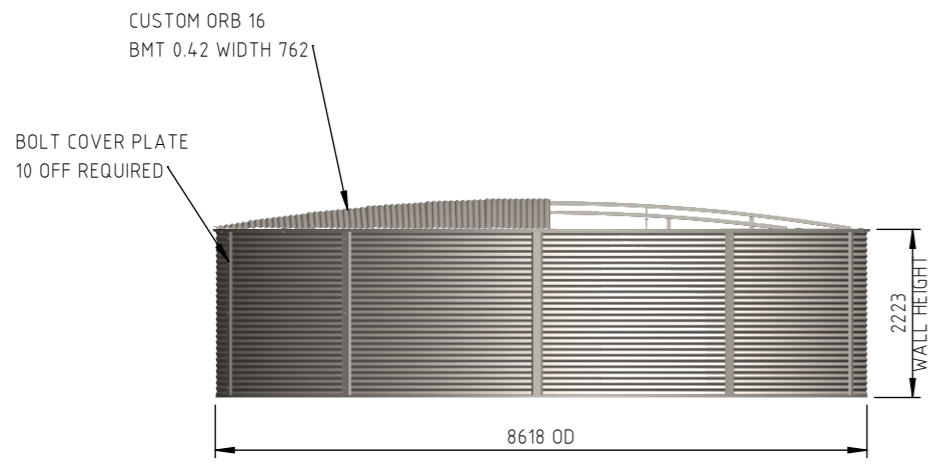
- Live load to AS/NZS1170.1 and AS1657
- Roof live load = 1.1 kN, 0.25 kPa
- Ladder live load = 1.5 kN

Wind load to AS/NZS1170.2

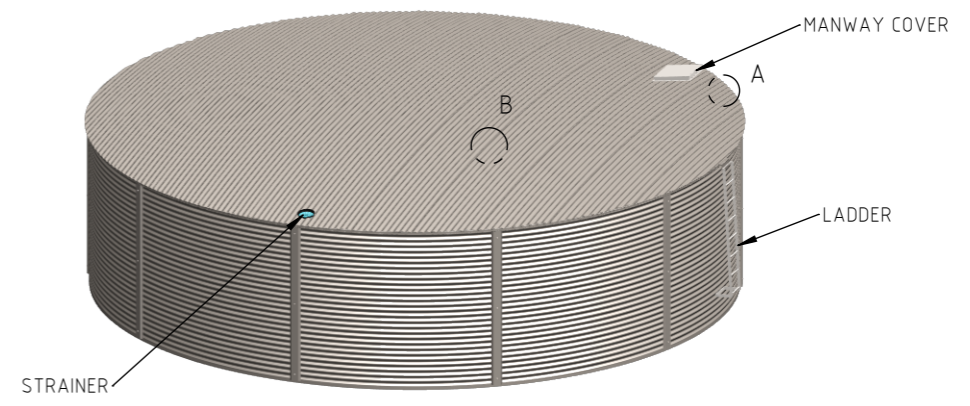
- Region = A & B
- Structure Importance Level = 2
- Regional wind speed V(500)= 57 m/s
- Terrain category = 2.5

Earthquake load to AS1170.4

- Earthquake Design Category = Nil
- Atmospheric Exposure to AS4312
- Atmospheric Exposure Category = C2: Low, or T: Inland Tropical



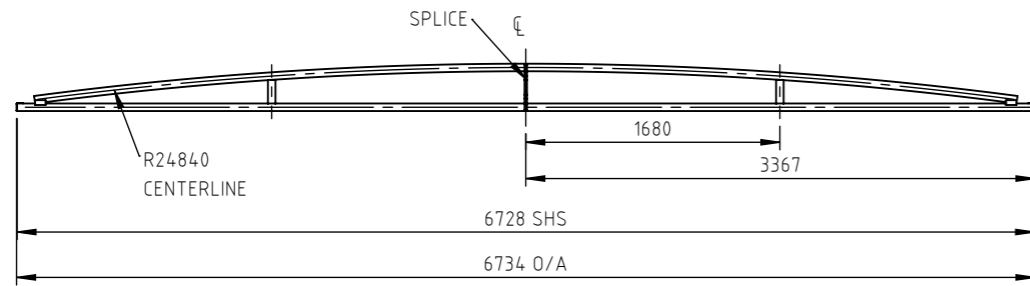
ASL125 - SIDE ELEVATION



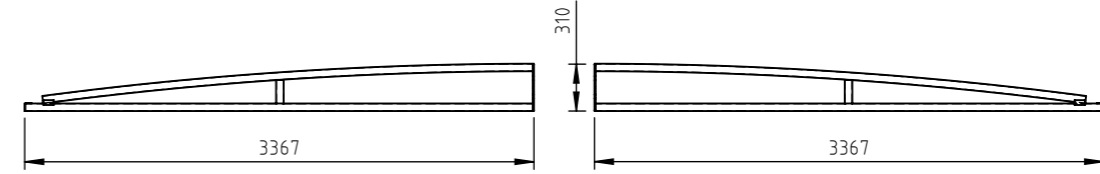
DIMETRIC VIEW

NOTES:
DESIGNED WATER HEIGHT: 2.12m
DESIGNED CAPACITY OF THE TANK: 125949 L

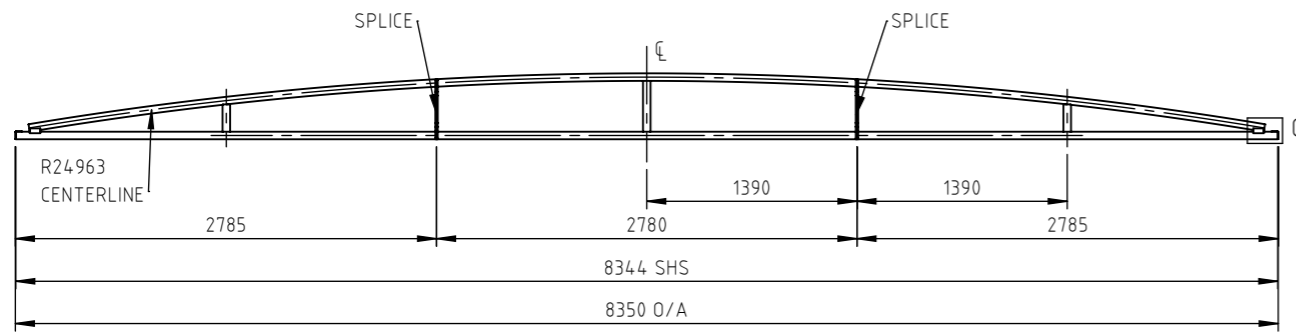
B		31/07/21	DIMETRIC VIEW NOTE CORRECTED	T.P.	P.R.	CLIENT: BUSHMANS GROUP PTY LTD Bushmans BUSHMANS HEAD OFFICE GPO 4218, NSW, SYDNEY, 2001 WWW.BUSHMANTANKS.COM.AU	IF THIS BAR DOES NOT MEASURE 20mm THEN DRAWING IS NOT TO SCALE 	ALL DIMENSIONS IN MILLIMETRES UNLESS OTHERWISE STATED 	 evoco engineering	PO BOX 145 COLLAROY BEACH, NSW 2097 AUSTRALIA office@evocoengineering.com evocoengineering.com	APPROVED:	P Rupasinghe	SCALE:	1:100	PROJECT:	AQUALINE TANK ASL125 WIND REGION A & B	ORIG. SIZE:	A3	DRAWING SET NO
A	04/05/21	RELEASED FOR PRODUCTION	T.P.	P.R.	CHECKED:						P Rupasinghe	PROJECT NO:	ASL125	TITLE:	GENERAL ARRANGEMENT AND DETAIL SALES DRAWING	REV.:	B		
P1	22/03/21	PRELIMINARY RELEASE	T.P.	P.R.	DESIGNED:						C R Rohde	DRAWING NO:	ASL125-2223-WRAB-STD	SHEET:	1/2				
REV	DATE	DESCRIPTION	DRAWN	APPROVED															



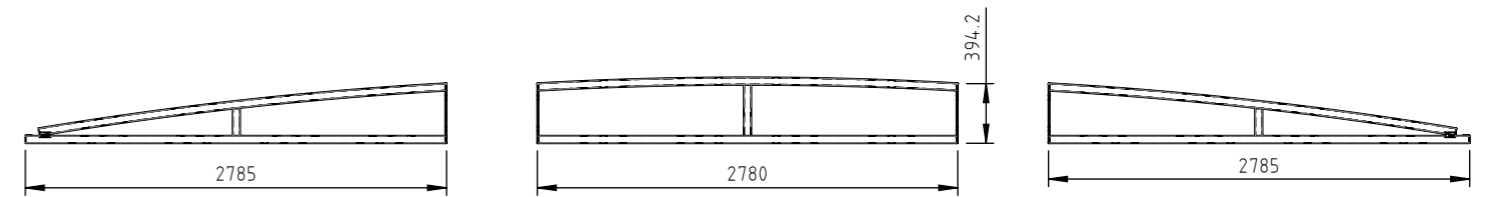
ASL125 TRUSS 1 ELEVATION
2 OFF HOT DIPPED GALVANIZED TRUSSES
CALCULATED MASS: 36 KG



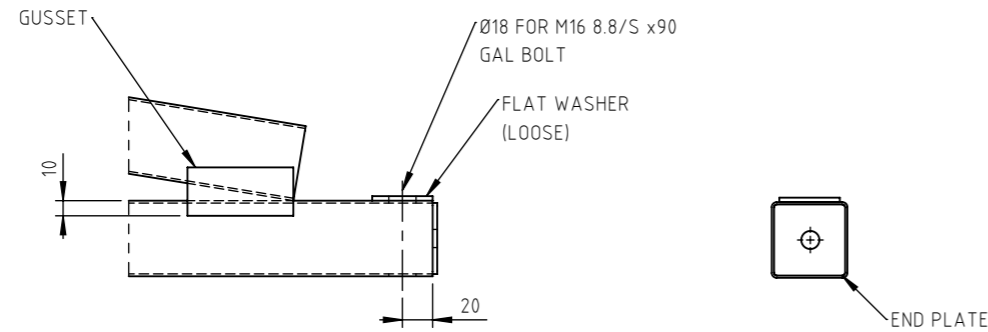
ASL125 TRUSS 1
EXPLODED VIEW



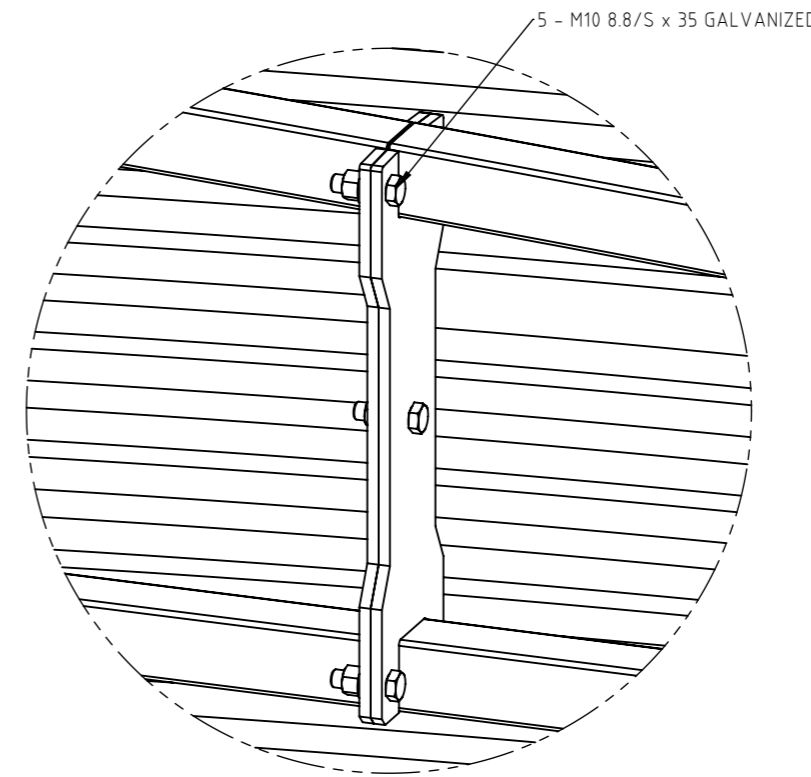
ASL125 TRUSS 2 ELEVATION
2 OFF HOT DIPPED GALVANIZED TRUSSES
CALCULATED MASS: 50 KG



ASL125 TRUSS 2
EXPLODED VIEW



DETAIL C
1:5
TRUSS END DETAIL



DETAIL B
1:5
ISOMETRIC VIEW
SPLICE PLATE CONNECTION DETAIL
ROOF SHEETS HIDDEN FOR CLARITY

REV	DATE	DESCRIPTION	DRAWN	APPROVED
C	31/07/21	DIMETRIC VIEW NOTE CORRECTED	T.P.	P.R.
A	04/05/21	RELEASED FOR PRODUCTION	T.P.	P.R.
P1	16/04/21	PRELIMINARY RELEASE	T.P.	P.R.

CLIENT: BUSHMANS GROUP PTY LTD
Bushmans
BUSHMANS HEAD OFFICE
GPO 4218, NSW, SYDNEY, 2001
WWW.BUSHMANTANKS.COM.AU

IF THIS BAR DOES NOT MEASURE 20mm THEN DRAWING IS NOT TO SCALE
0 5 10 20

ALL DIMENSIONS IN MILLIMETRES UNLESS OTHERWISE STATED



PO BOX 145
COLLAROY BEACH, NSW 2097
AUSTRALIA
office@evocoengineering.com
evocoengineering.com

APPROVED: P Rupasinghe
CHECKED: P Rupasinghe
DESIGNED: C R Rohde
DRAWN: T Pisko

SCALE: 1:50
PROJECT No: ASL125
DRAWING No: ASL125-2223-WRAB-STD
SHEET: 2/2

PROJECT: AQUALINE TANK ASL125 WIND REGION A & B
TITLE: TRUSS ARRANGEMENT AND DETAILS SALES DRAWING

ORIG. SIZE: A3
REV.: B

DRAWING SET No