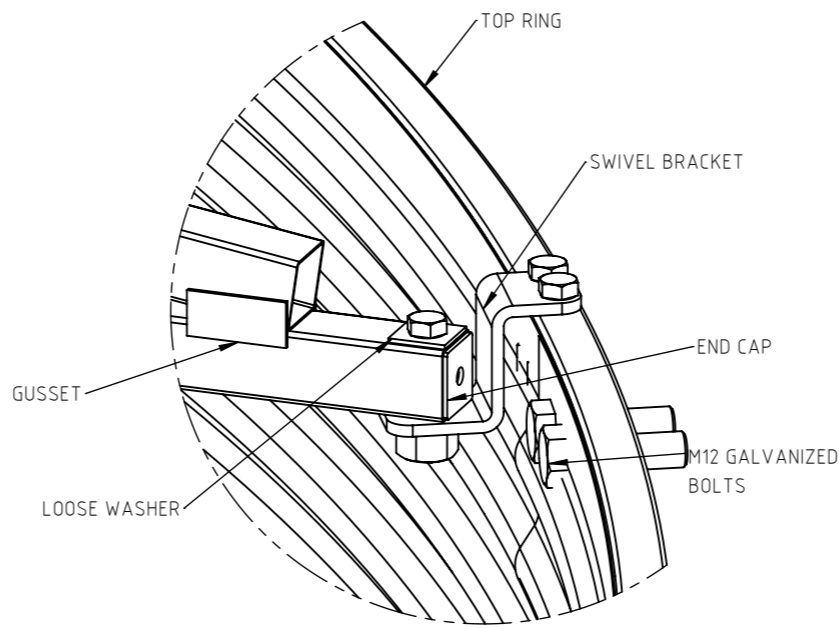


ASL100 - PLAN VIEW



DETAIL A
1:5
ISOMETRIC VIEW
TRUSS SWIVEL BRACKET-ROOF RING CONNECTION DETAIL
ROOF SHEETS HIDDEN FOR CLARITY

DESIGN DATA

The structural components have been designed in accordance with the relevant Australian Standards for the following loads:

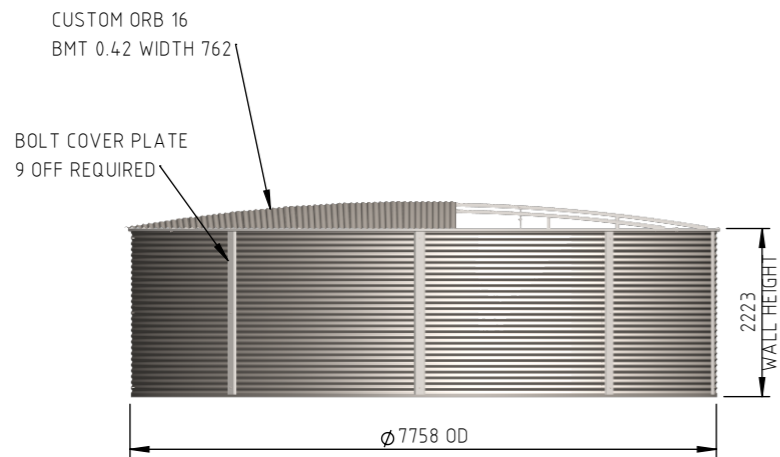
- Live load to AS/NZS1170.1 and AS1657
- Roof live load = 1.1 kN, 0.25 kPa
- Ladder live load = 1.5 kN

Wind load to AS/NZS1170.2

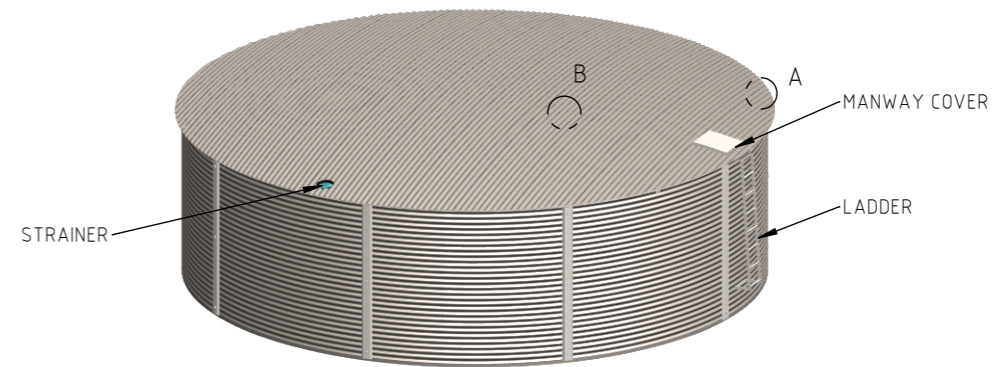
- Region = A & B
- Structure Importance Level = 2
- Regional wind speed V(500)= 57 m/s
- Terrain category = 2.5

Earthquake load to AS1170.4

- Earthquake Design Category = Nil
- Atmospheric Exposure to AS4312
- Atmospheric Exposure Category = C2: Low, or T: Inland Tropical



ASL100 - SIDE ELEVATION



DIMETRIC VIEW

NOTES:
DESIGNED WATER HEIGHT: 2.22m
DESIGNED CAPACITY OF THE TANK: 102060L

REV	DATE	DESCRIPTION	DRAWN	APPROVED
C	31/07/21	DIMETRIC VIEW NOTE CORRECTED	T.P.	P.R.
B	26/03/21	ANNOTATIONS ADDED, DETAIL A REMOVED	T.P.	P.R.
A	24/03/21	FIRST ISSUE	T.P.	P.R.
P1	22/03/21	PRELIMINARY RELEASE	T.P.	P.R.

CLIENT: BUSHMANS GROUP PTY LTD
Bushmans
BUSHMANS HEAD OFFICE
GPO 4218, NSW, SYDNEY, 2001
WWW.BUSHMANTANKS.COM.AU

IF THIS BAR DOES NOT MEASURE 20mm THEN DRAWING IS NOT TO SCALE
0 5 10 20

ALL DIMENSIONS IN MILLIMETRES UNLESS OTHERWISE STATED



PO BOX 145
COLLAROY BEACH, NSW 2097
AUSTRALIA
office@evocoengineering.com
evocoengineering.com

APPROVED: P Rupasinghe
CHECKED: P Rupasinghe
DESIGNED: C R Rohde
DRAWN: T Pisko

SCALE: 1:100
PROJECT NO: ASL100
DRAWING NO: ASL100-2223-WRAB-STD
SHEET: 1/2

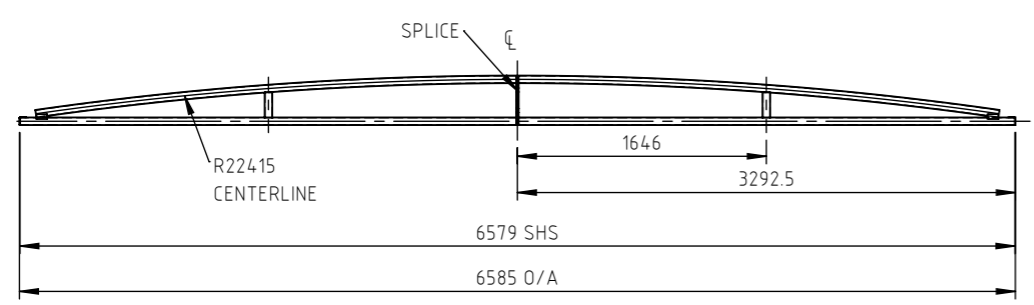
PROJECT: AQUALINE TANK ASL100 WIND REGION A & B
TITLE: GENERAL ARRANGEMENT AND DETAIL SALES DRAWING

ORIG. SIZE: A3
REV.: C

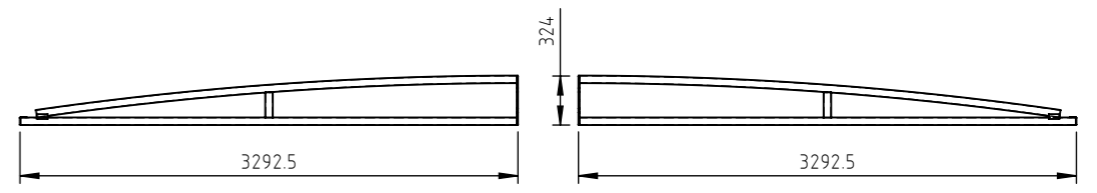
DRAWING SET NO

1 2 3 4 5 6 7 8

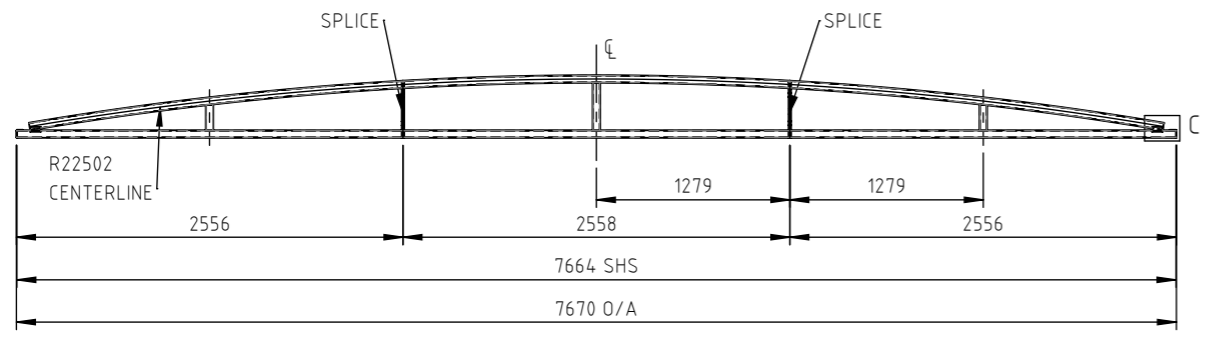
A B C D E F



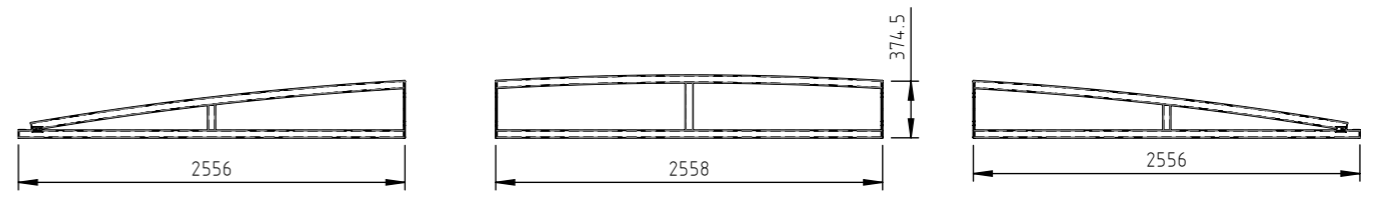
ASL100 TRUSS 1 ELEVATION
2 OFF HOT DIPPED GALVANIZED TRUSSES
CALCULATED MASS: 35.3 KG



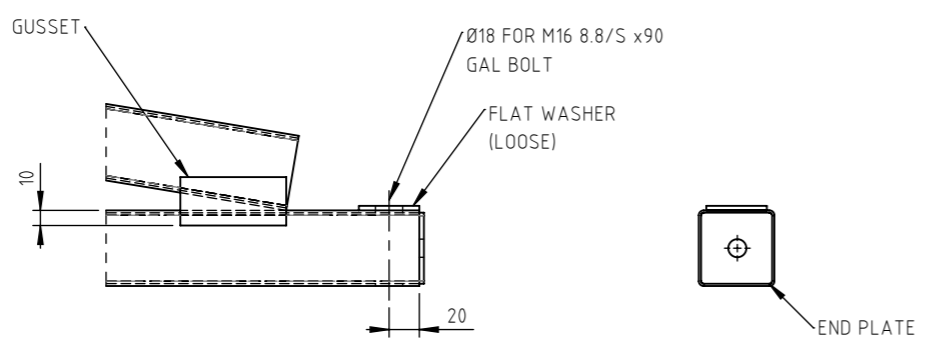
ASL100 TRUSS 1
EXPLODED VIEW



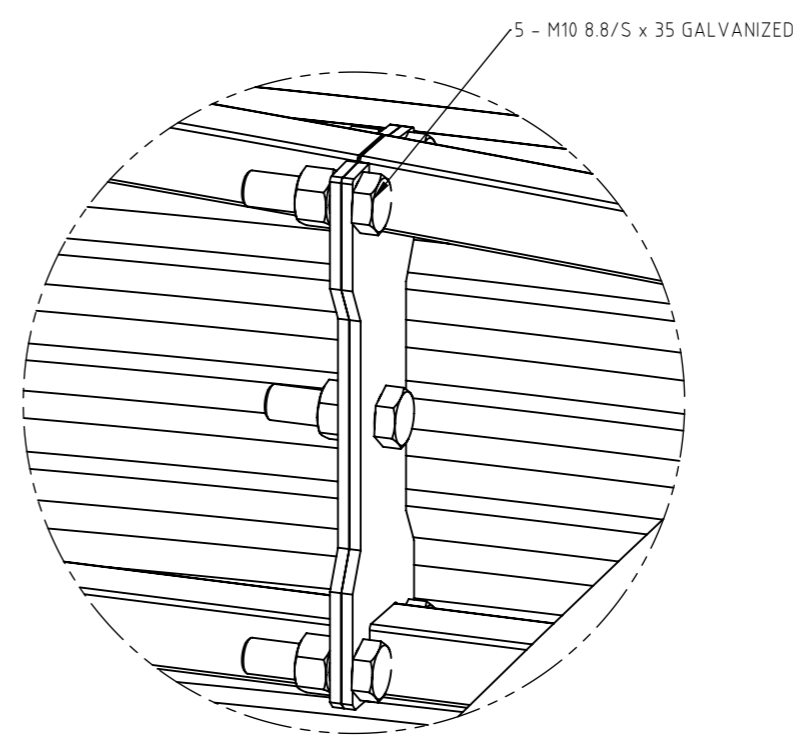
ASL100 TRUSS 2 ELEVATION
1 OFF HOT DIPPED GALVANIZED TRUSSES
CALCULATED MASS: 45.8 KG



ASL100 TRUSS 2
EXPLODED VIEW



DETAIL C
1:5
TRUSS END DETAIL



DETAIL B
1:5
ISOMETRIC VIEW
SPLICE PLATE CONNECTION DETAIL
ROOF SHEETS HIDDEN FOR CLARITY

REV	DATE	DESCRIPTION	DRAWN	APPROVED
C	31/07/21	DIMETRIC VIEW NOTE CORRECTED	T.P.	P.R.
B	26/03/21	ANNOTATIONS ADDED, DETAIL A REMOVED	T.P.	P.R.
A	24/03/21	FIRST ISSUE	T.P.	P.R.
P1	22/03/21	PRELIMINARY RELEASE	T.P.	P.R.

CLIENT: BUSHMANS GROUP PTY LTD
Bushmans
BUSHMANS HEAD OFFICE
GPO 4218, NSW, SYDNEY, 2001
WWW.BUSHMANTANKS.COM.AU

IF THIS BAR DOES NOT MEASURE 20mm THEN DRAWING IS NOT TO SCALE
0 5 10 20

ALL DIMENSIONS IN MILLIMITRES UNLESS OTHERWISE STATED

PO BOX 145
COLLAROY BEACH, NSW 2097
AUSTRALIA
office@evocoengineering.com
evocoengineering.com

APPROVED: P Rupasinghe	SCALE: 1:50	PROJECT: AQUALINE TANK ASL100 WIND REGION A & B
CHECKED: P Rupasinghe	PROJECT NO: ASL100	ORIG. SIZE: A3
DESIGNED: C R Rohde	DRAWING NO: ASL100-2223-WRAB-STD	REV.: C
DRAWN: T Pisko	SHEET: 2/2	TITLE: TRUSS ARRANGEMENT AND DETAILS SALES DRAWING

ORIG. SIZE: A3	DRAWING SET NO
REV.: C	