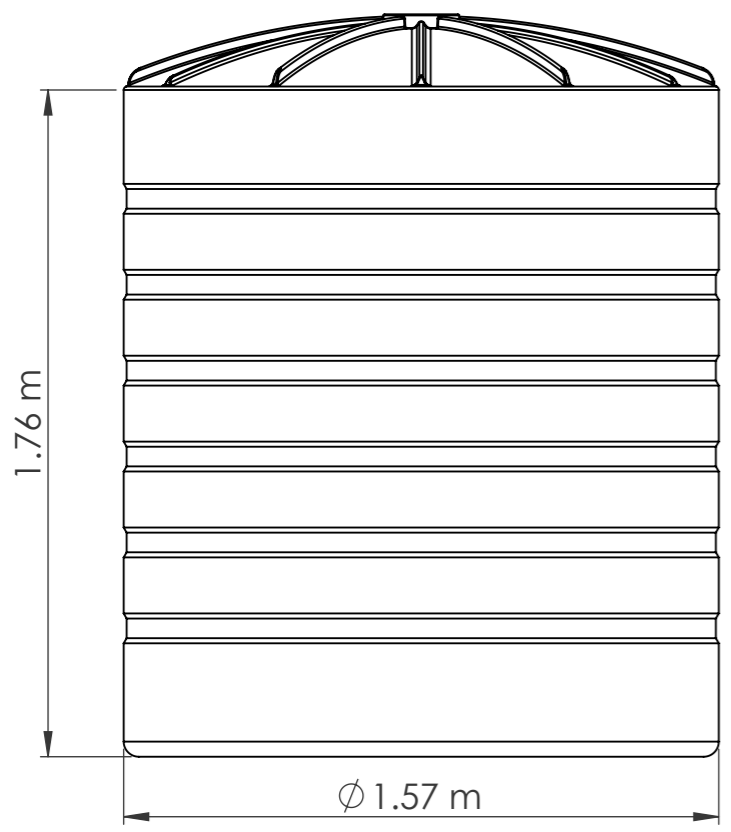
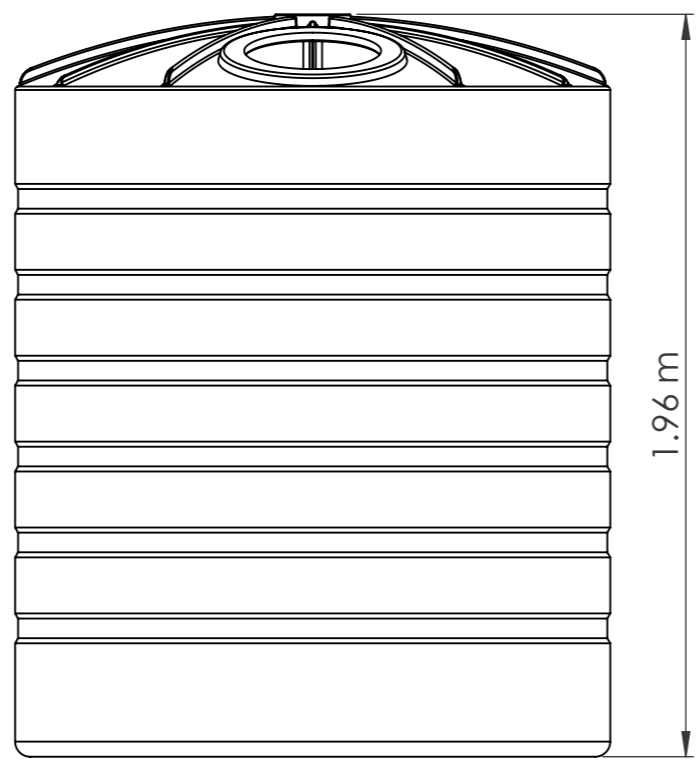


TOP VIEW



REAR VIEW



FRONT VIEW

ACCESSORIES LIST

ITEM	SIZE	DETAIL	DESCRIPTION	RADIAL DEGREE	HEIGHT FROM BASE

NOTE: Dimensions may vary due to the rotational moulding process, Bushmans recommends top and sides clearance of 100mm minimum when estimating space required for the tank.

TXD650 V003		
HEIGHT (m)	WIDTH (m)	VOLUME (LTR)
1.96	1.57	3200



BUSHMANS INDUSTRIAL
 BUSHMANS HEAD OFFICE
 GPO 4218, NSW, SYDNEY, 2001 WWW.BUSHMANTANKS.COM.AU

Copyright 2017 Bushmans Group Pty Ltd. This drawing may not be reproduced or transmitted in any form or by any means in part or whole without written permission of Bushmans Group Pty Ltd.

Drawn TP	Project Title TXD650 V003
Date 27/03/2017	Material LLDPE
Scale 1:30	Finish

Drawing Title
**TXD650 Industrial Grade
 3200L Schematic**

A3 Size Drawing Sheet of