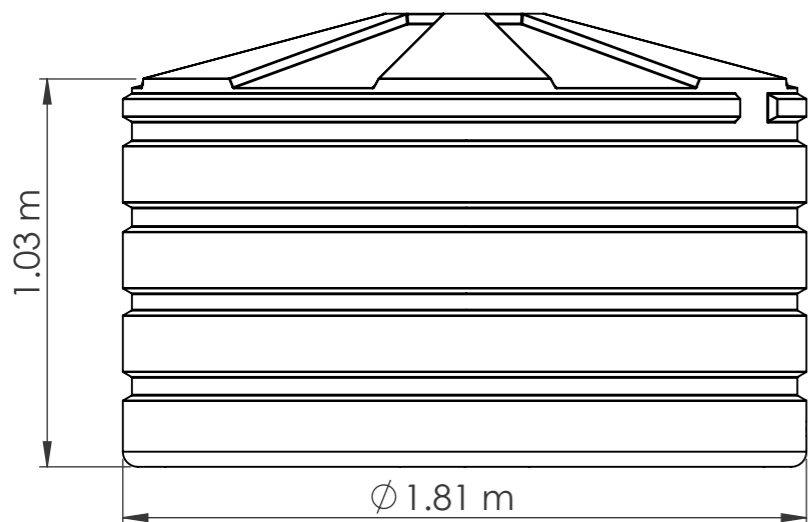
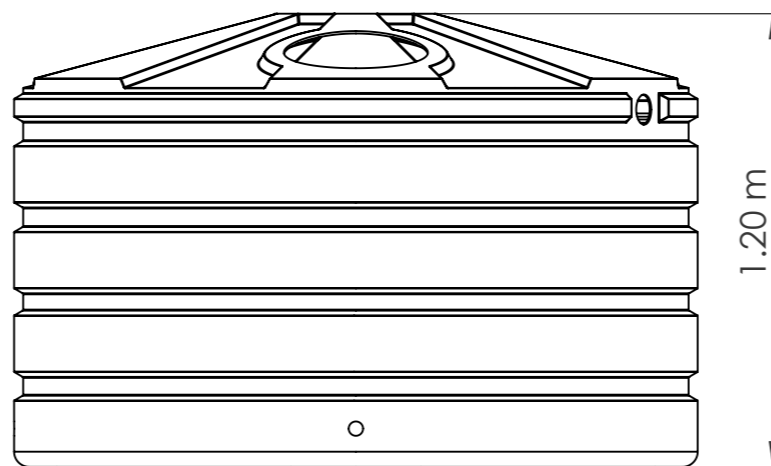


TOP VIEW



REAR VIEW



FRONT VIEW

ACCESSORIES LIST

ITEM	SIZE	DETAIL	DESCRIPTION	RADIAL DEGREE	HEIGHT FROM BASE

NOTE: Dimensions may vary due to the rotational moulding process, Bushmans recommends top and sides clearance of 100mm minimum when estimating space required for the tank.

TS540 V002		
HEIGHT (m)	WIDTH (m)	VOLUME (LTR)
1.2	1.81	2400



BUSHMANS INDUSTRIAL

BUSHMANS HEAD OFFICE
 GPO 4218, NSW, SYDNEY, 2001 WWW.BUSHMANTANKS.COM.AU

Copyright 2017 Bushmans Group Pty Ltd. This drawing may not be reproduced or transmitted in any form or by any means in part or whole without written permission of Bushmans Group Pty Ltd.

Drawn TP
 Date 25/02/2017
 Scale 1:30

Project Title TS540 V002
 Material LLDPE
 Finish

Drawing Title
 TS540 Industrial Grade 2400L Schematic