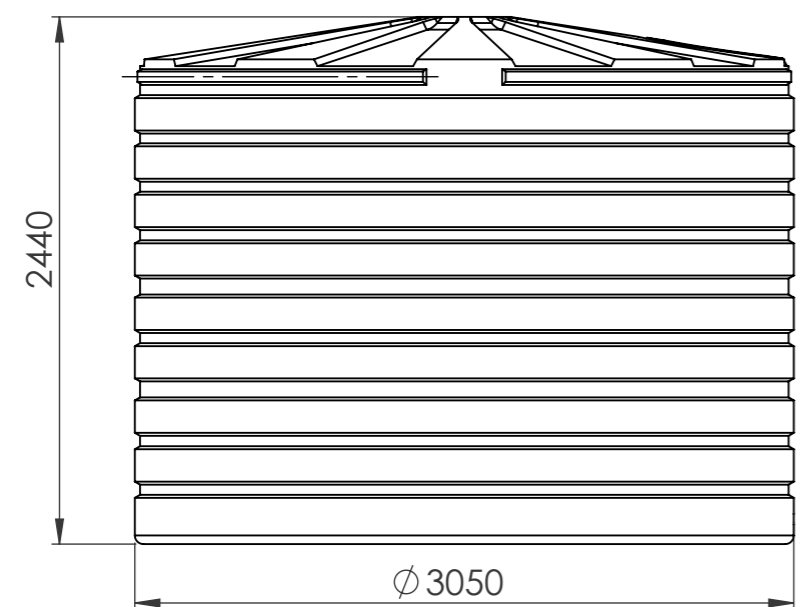
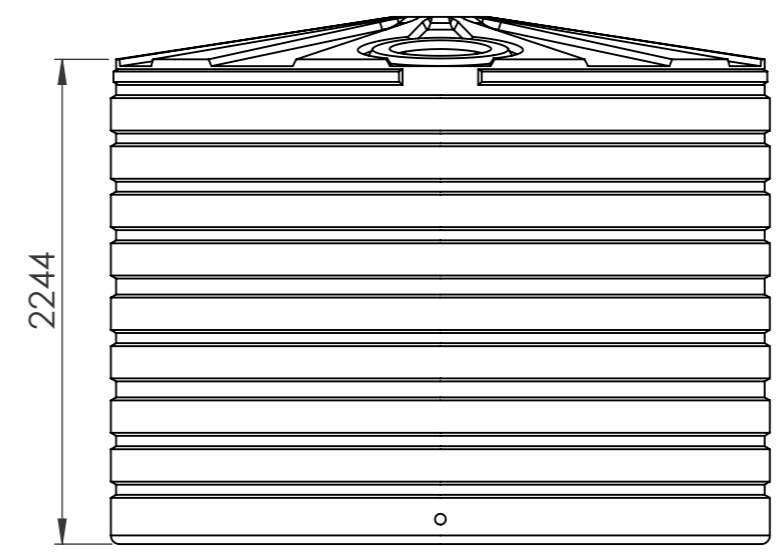


TOP VIEW



REAR VIEW



FRONT VIEW

**ACCESSORIES LIST**

ITEM	SIZE	DETAIL	DESCRIPTION	RADIAL DEGREE	HEIGHT FROM BASE

NOTE:  
Dimensions may vary due to the rotational moulding process, Bushmans recommends top and sides clearance of 100mm minimum when estimating space required for the tank.

T3300 V002		
HEIGHT (mm)	WIDTH (mm)	VOLUME (LTR)
2440	3050	15 000



**BUSHMANS INDUSTRIAL**  
 BUSHMANS HEAD OFFICE  
 GPO 4218, NSW, SYDNEY, 2001 [WWW.BUSHMANTANKS.COM.AU](http://WWW.BUSHMANTANKS.COM.AU)

Copyright 2019 Bushmans Group Pty Ltd. This drawing may not be reproduced or transmitted in any form or by any means in part or whole without written permission of Bushmans Group Pty Ltd.

Drawn T.P.	Project Title T3300 V002
Date 25/04/2019	Material POLYETHYLENE
Scale 1:25	Finish

Drawing Title  
**Industrial Grade T3300  
 15,000 Schematic**