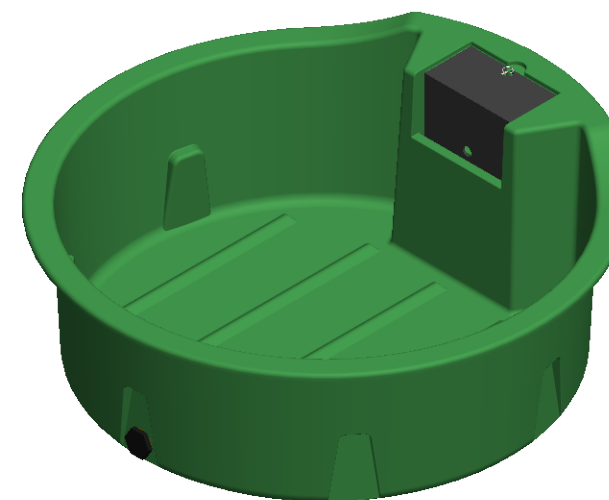
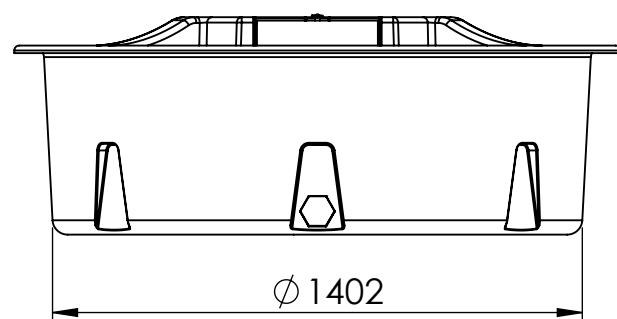


SECTION A-A  
STACKING EXAMPLE WITH 6 UNITS



WATER VOLUME: APPROX 640 LITRES 50mm FROM THROUGH EDGE  
MASS: 30 kg

**BUSHMANS GROUP PTY LTD**

300 George Street, SYDNEY, NSW 2000.

Ph 1800 00 88 88    [WWW.BUSHMANTANKS.COM.AU](http://WWW.BUSHMANTANKS.COM.AU)

Copyright 2016 Bushmans Group Pty Ltd. This drawing may not be reproduced or transmitted in any form or by any means in part or whole without written permission of Bushmans Group Pty Ltd.

Drawn TP

Date 15/09/2016

Scale 1:20

Project Title TRW130 V007

Material LDPE

Finish RIVER GUM

Drawing Title

**TRW130 ASSEMBLY**

A3 Size Drawing

Sheet of