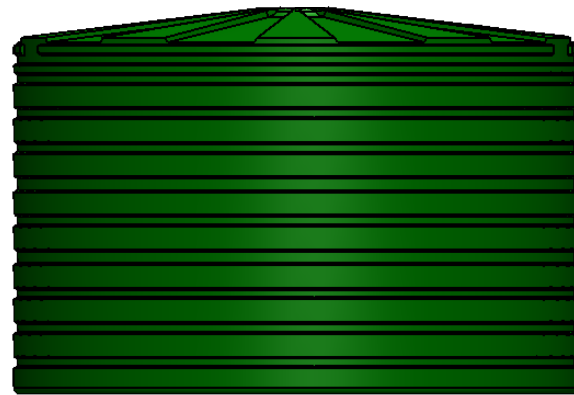
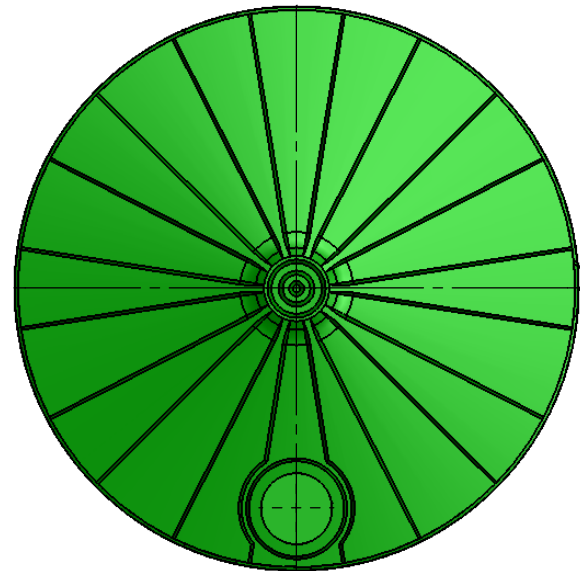


TOTAL HEIGHT 2.55M

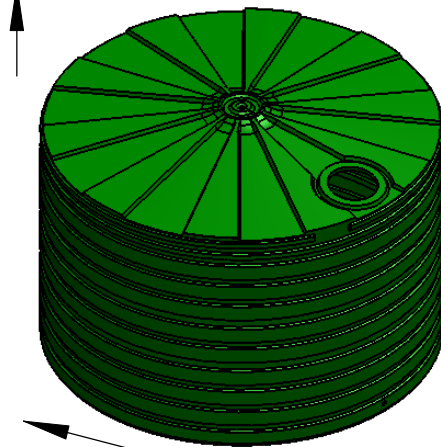
DIAMETER  $\phi$  3.73M



INLET HEIGHT 2.40M



TANK OVERFLOW CAN BE POSITIONED AROUND THE TANK



TANK OUTLET ANYWHERE ON BOTTOM RIB

**IMPORTANT NOTES TO READ...!!!**

- **3 PERSONS + DRIVER REQUIRED TO HANDLE TANK.**
- Drawing shows all available outlet & overflow positions. Standard installations have only 1 outlet & 1 overflow.
- Please refer to 'Easy 6 Step Tank Installation Guide' for instruction to install accessories.
- All dimensions are in Metres and rounded to the nearest Centimetre.
- Capacities & measurements are tested in accordance with AS4766, but may vary due to roto-moulding process.
- Bushmans recommends top and sides clearance of 100mm minimum when estimating space required for tank.

**BUSHMANS SALES DRAWING**

300 GEORGE STREET, SYDNEY, NSW 2000  
Ph 1800 00 88 88 WWW.BUSHMANTANKS.COM.AU

Copyright 2011 Bushmans Group Pty Ltd. This drawing may not be reproduced or transmitted in any form or by any means in part or whole without written permission of Bushmans Group Pty Ltd.

Drawn BUSH ENG  
Date JUL-2011  
Scale Not to Scale

Project Title TS5500 ROUND  
Material POLYETHYLENE  
Finish -----

Drawing Title

**TS5500 ROUND  
25000Litre Tank**

A4 Size Drawing

Sheet 1 of 3